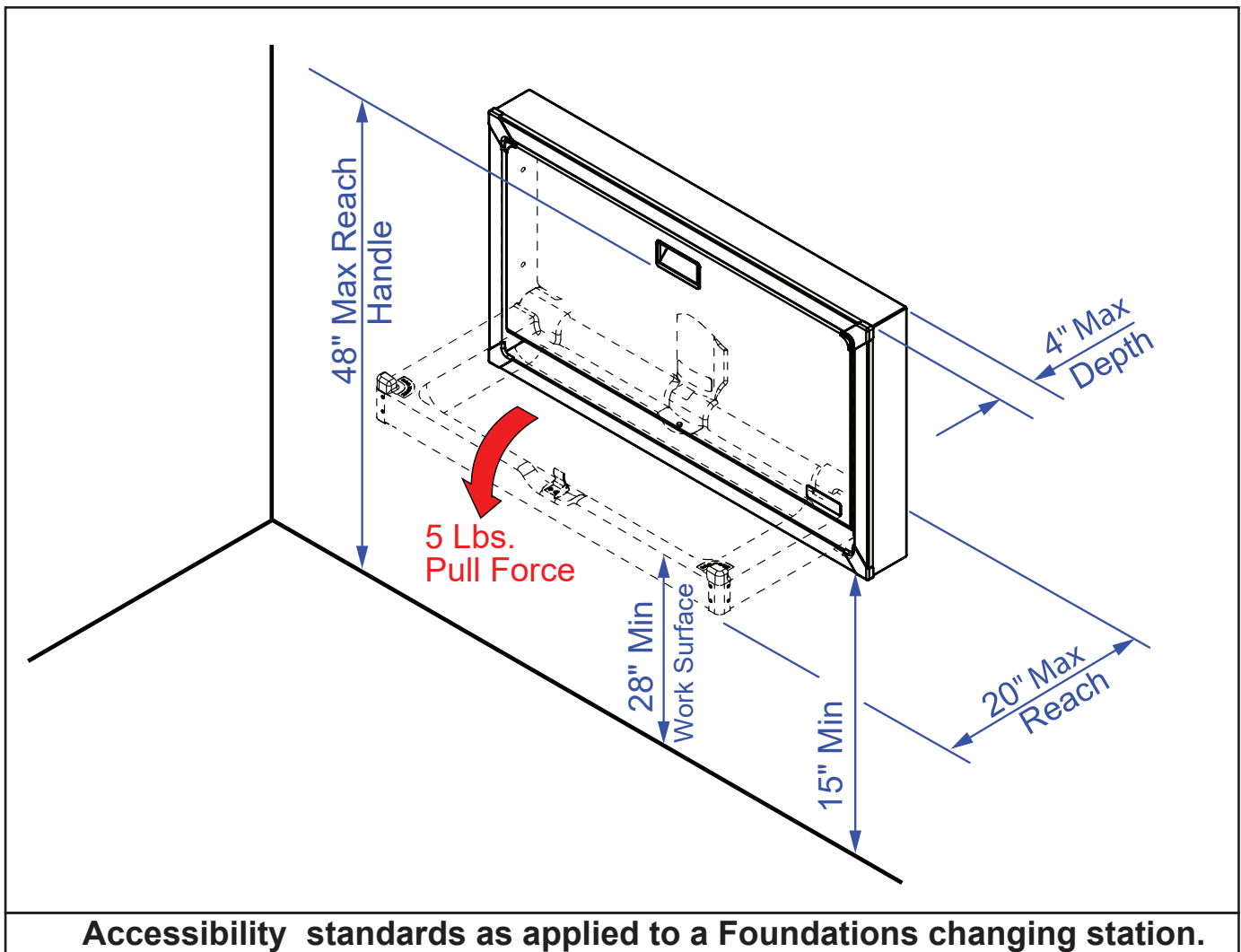


Foundations[®]

Compliance Guide

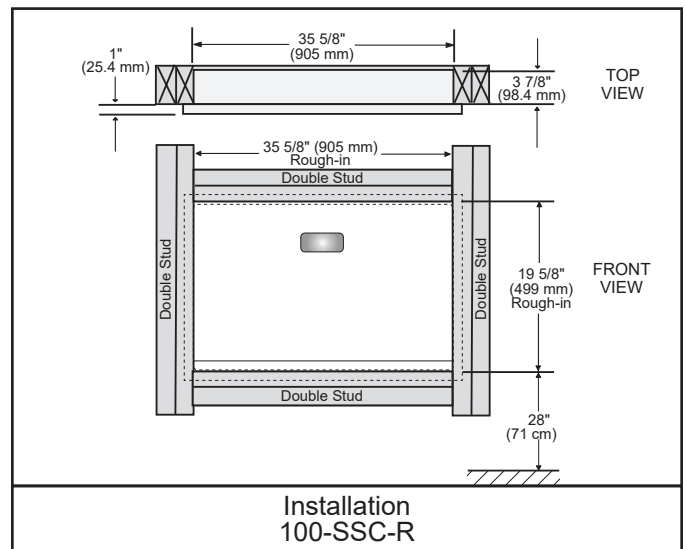
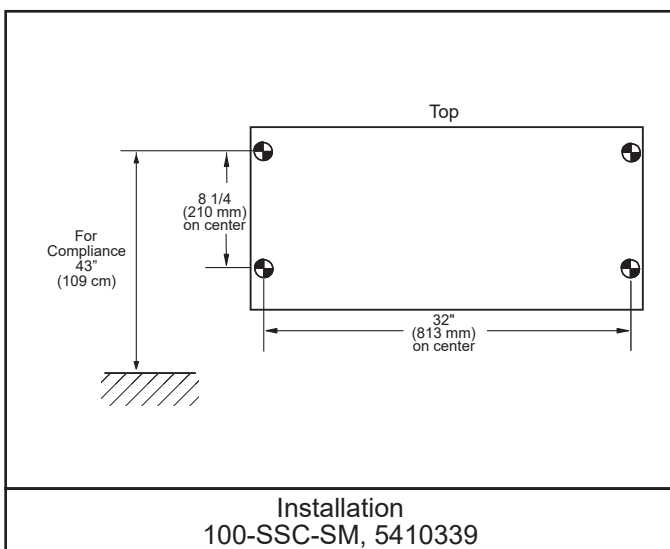
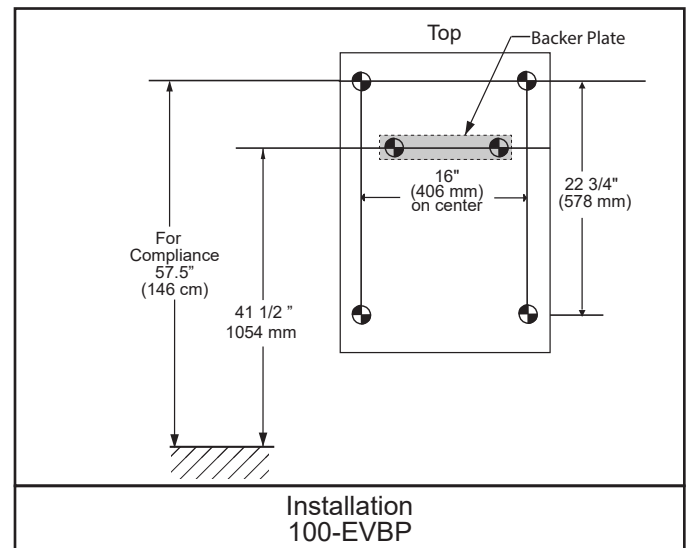
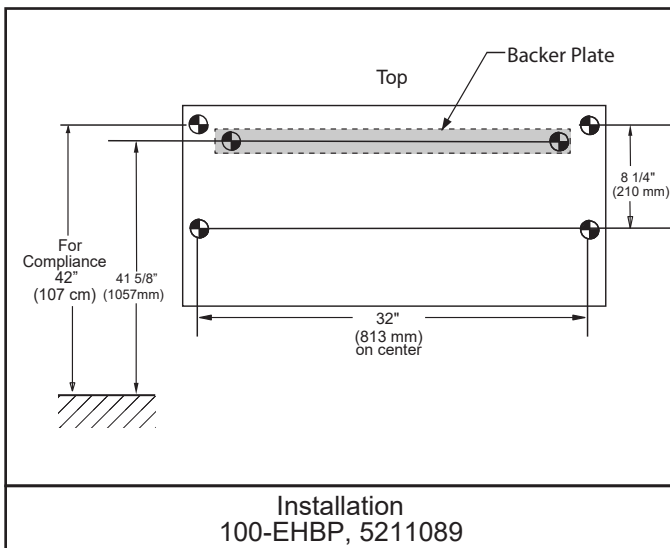
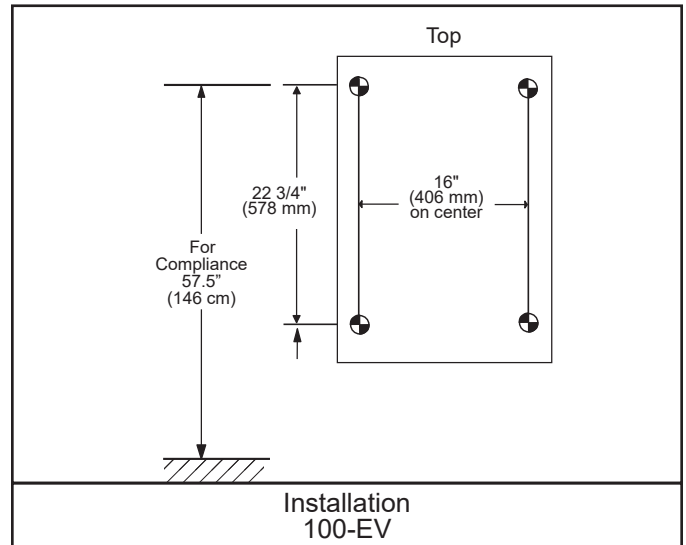
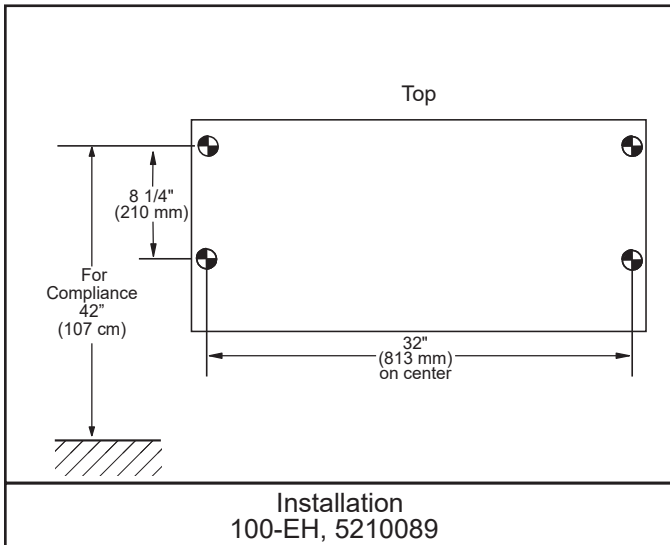
All Foundations changing station units meet or exceed the applicable provisions of the 2010 ADA Compliance Regulations, the 2009/2017 International Code Council (ICC) A117.1 Standard, and the 2012 Texas Accessibility Standard (TAS) when properly installed.

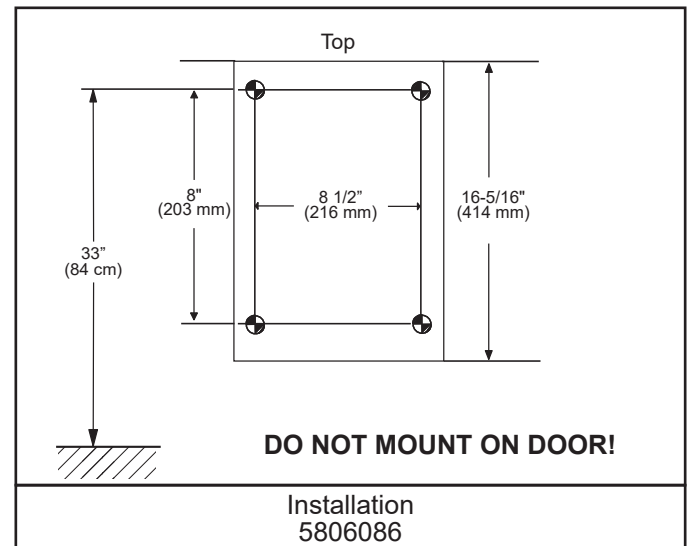
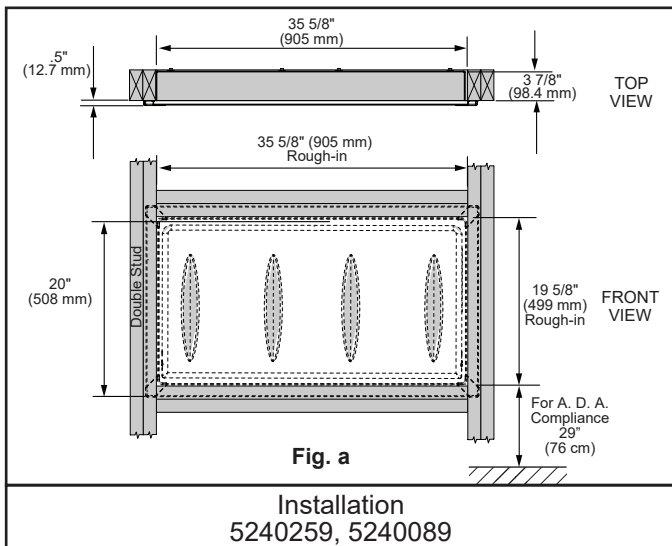
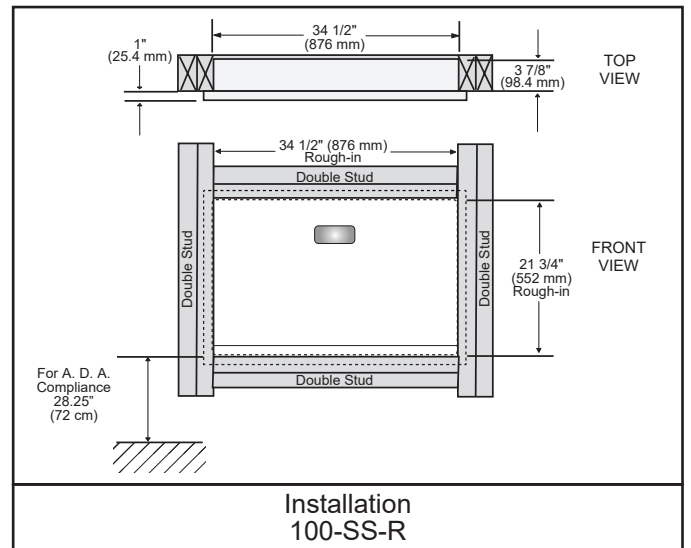
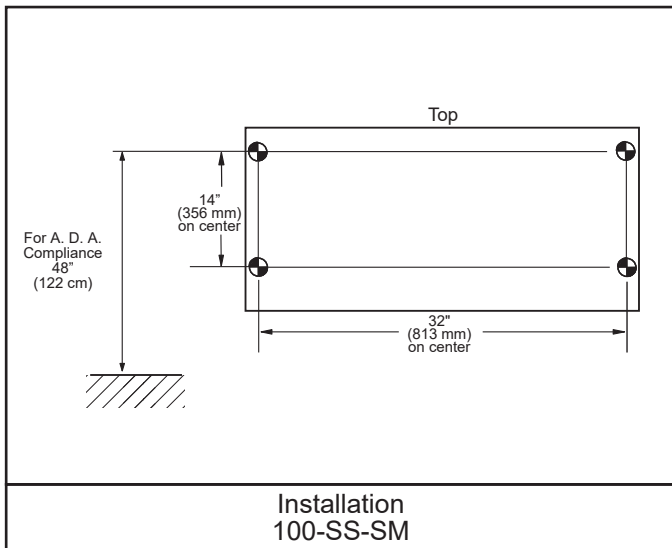
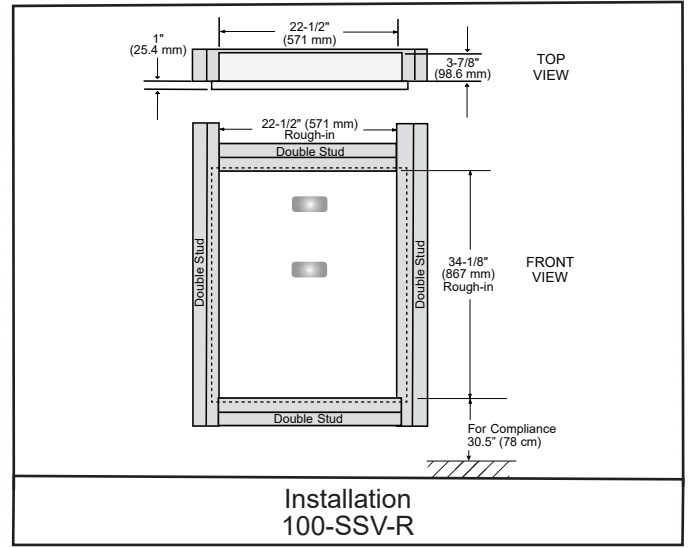
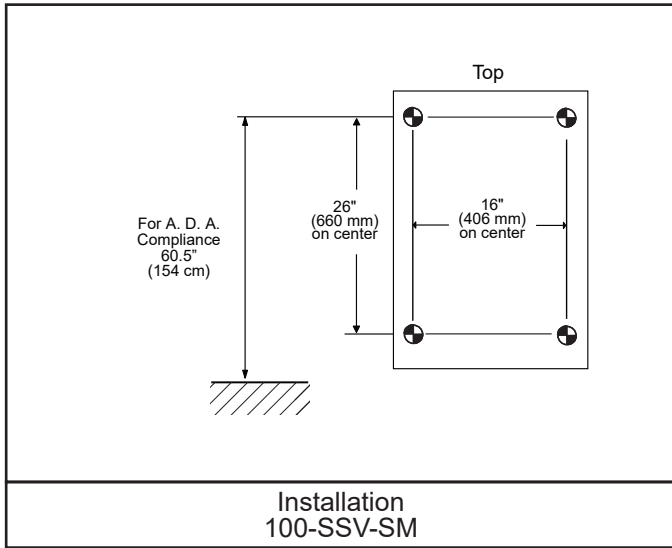
For installation questions please visit our website at www-foundations.com and reference the Public Washrooms tab. Or call us at 330-722-5033 (Hours: Mon-Fri, 8:00-5:00 EST.)

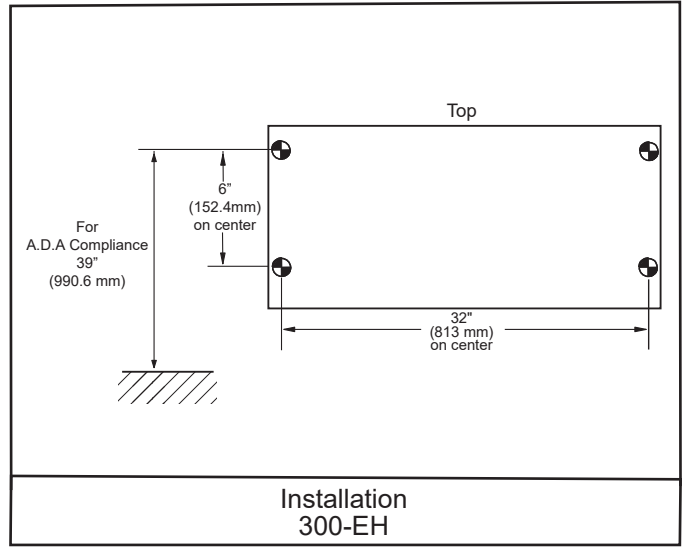
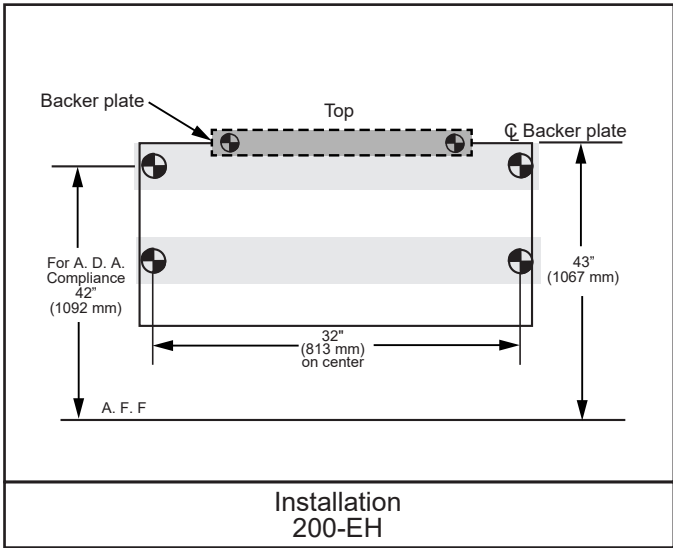


Please refer to following figures and descriptions for more technical detail.

Foundations Changing Station Installation Guide



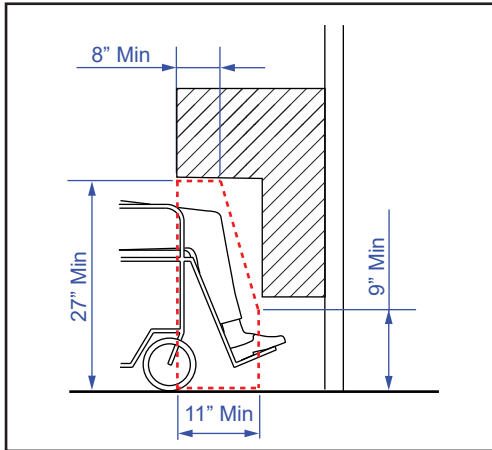




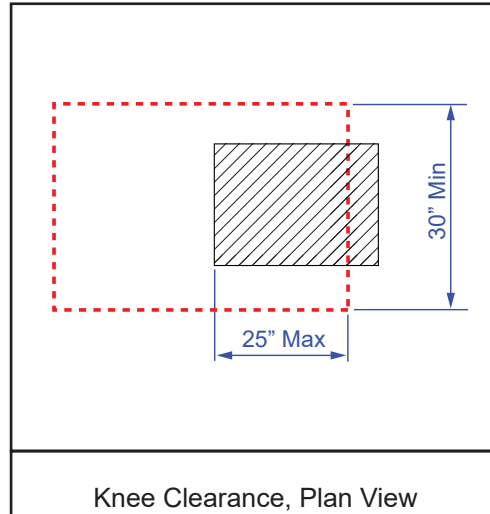
Compliance Standards Guide

Knee Clearance

Knee clearance shall extend 25 inches (635 mm) maximum under an element at 9 inches (230 mm) above the finished floor or ground. Where knee clearance is required under an element as part of a clear floor space, the knee clearance shall be 11 inches (280 mm) deep minimum at 9 inches (230 mm) above the finish floor or ground, and 8 inches (205 mm) deep minimum at 27 inches (685 mm) above the finish floor or ground. See figures below.



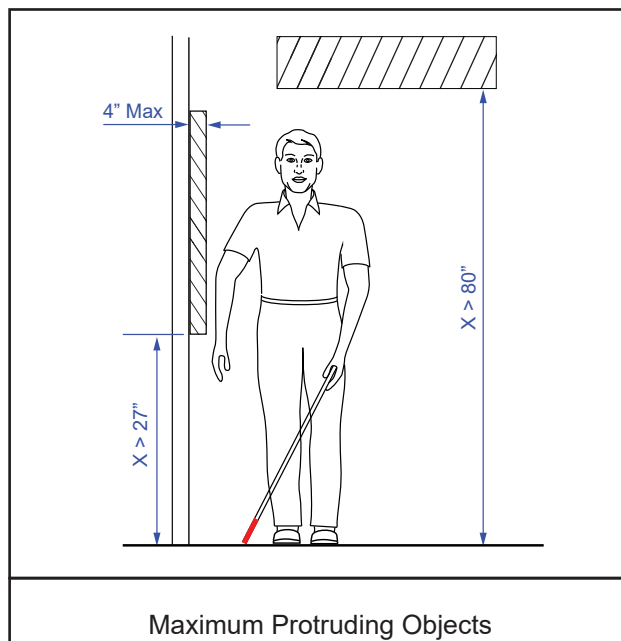
Knee Clearance, Elevation View



Knee Clearance, Plan View

Maximum Protruding Objects

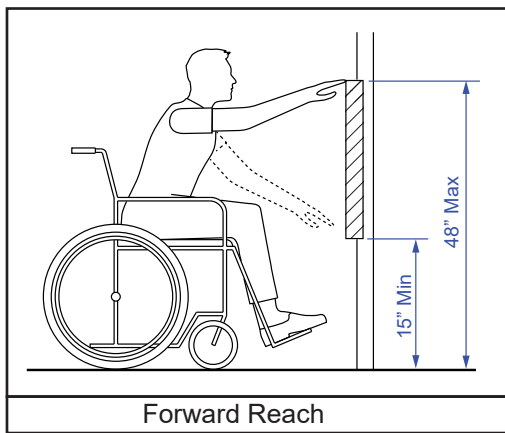
Objects with leading edges more than 27 inches (685 mm) and not more than 80 inches (2030 mm) above the finish floor or ground shall protrude 4 inches (100 mm) maximum horizontally into the circulation path. See figure below.



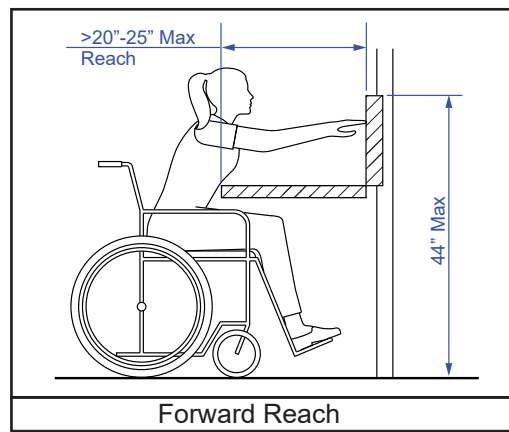
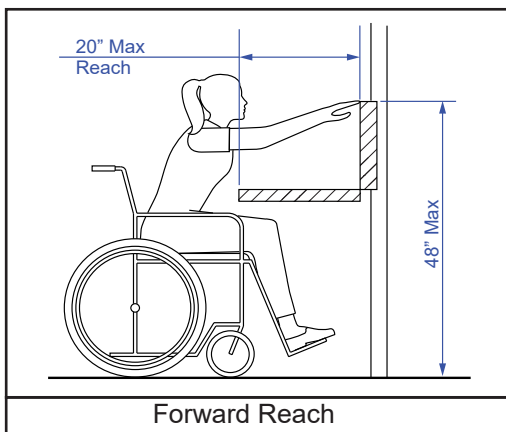
Maximum Protruding Objects

Forward Reach (image on next page)

Where a forward reach is unobstructed, the high forward reach shall be 48 inches (1220 mm) maximum and the low forward reach shall be 15 inches (380 mm) minimum above the finished floor or ground.

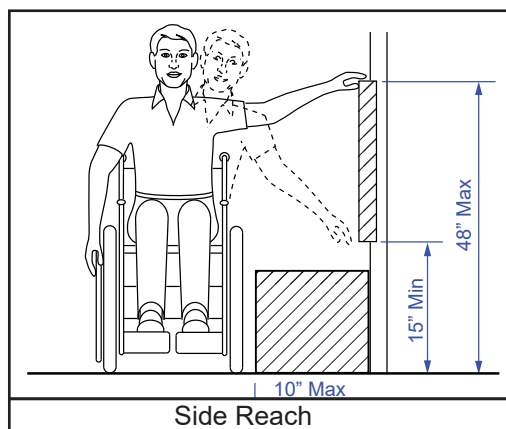


Where a high forward reach is over an obstruction, the clear floor space shall extend beneath the element for a distance not less than the required reach depth over the obstruction. The high forward reach shall be 48 inches (1220 mm) maximum where the reach depth is 20 inches (510 mm) maximum. Where the reach depth exceeds 20 inches (510 mm), the high forward reach shall be 44 inches (1120 mm) maximum and the reach depth shall be 25 inches (635 mm) maximum. See figures below.



Side Reach

Where a clear floor or ground space allows a parallel approach to an element and the side reach is unobstructed, the high side reach shall be 48 inches (1220 mm) maximum and the low side reach shall be 15 inches (380 mm) minimum above the finish floor or ground. See figure below.



Operation

Operable parts shall be operable with one hand and shall not require tight grasping, pinching, or twisting of the wrist. The force required to activate operable parts shall be 5 pounds (22.2 N) maximum.

Work Surface

The tops of dining and work surface shall be 28 inches (710 mm) minimum and 34 inches (865 mm) maximum above the finish floor or ground.