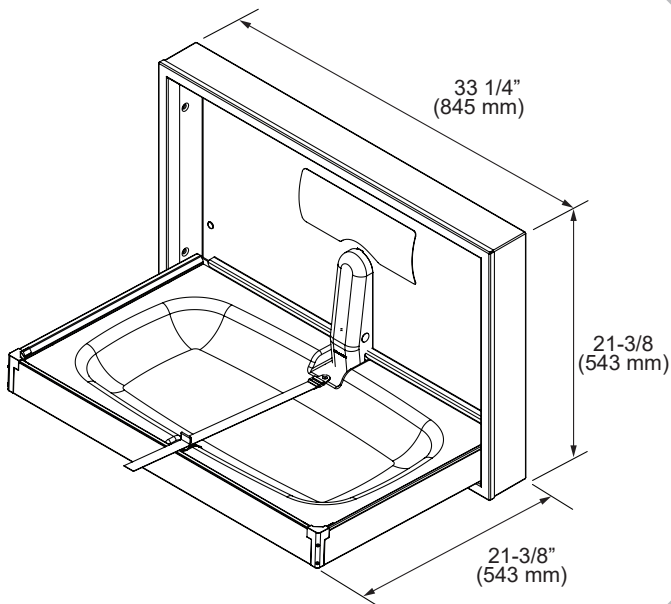




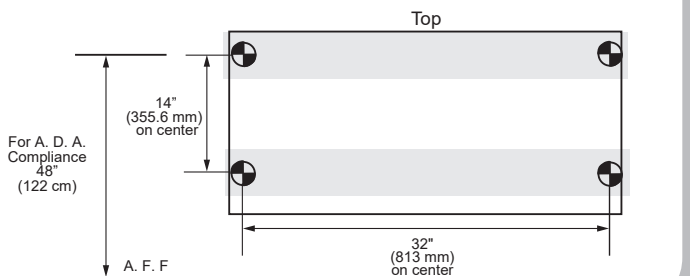
BABY CHANGERS MADE BY BABY EXPERTS.™

Submittal Sheet

Model 100SS-SM Horizontal Stainless Steel Diaper Changing Station



Recommended Blocking Surface Mount



- Full body 18 gauge, 304 brushed stainless steel.
- ABS replaceable tray liner.
- Smooth nylon belt with Thermoplastic Polyurethane coating. Easy to sanitize and adjustable with one hand.
- Full stainless steel frame and hinges provide maximum durability.
- Easy to read ANSI compliant labels (ANSI Z535.3 and ANSI Z535.4), utilizing universal safety symbols.
- Pneumatic gas shock mechanism to ensure smooth, safe open and close motions.
- Universal changing station plaque on front of unit.
- Surface mount requires additional flange. Specify model 100SS-SM.
- Limited Warranty: This product is warranted against manufacturing defects for a period of 5 years.

Short Specifications

Full 304 brushed stainless steel exterior with vacuum formed ABS changing surface.

1. A.D.A. Compliant attached buckle.
2. Acceptable product: Foundations Worldwide, Inc.; Model 100SS-SM (Horizontal Surface Mount).
3. Characteristics:
 - a. Entire body 18 gauge, 304 brushed stainless steel, seamless welds.
 - b. Provide Foundations Worldwide, Inc. SS-Flange in order to surface mount unit.
 - c. Provide Foundations Worldwide, Inc. 200-SSLD; stainless steel liner dispenser.
4. Equipped with a pneumatic cylinder.
5. Smooth nylon belt with Thermoplastic Polyurethane coating. Easy to sanitize and adjustable with one hand.
6. Meets ASTM F2285 requirements for weight bearing Commercial Changing Stations.
7. **A.D.A. Compliance:**
 - 306.3 Knee Clearance
 - 307.2 Maximum Protruding Objects
 - 308.2 Forward Reach
 - 308.3 Side Reach
 - 309.4 Operation
 - 902.3 Work Surface
 Compliant when properly installed.
8. ANSI compliant safety labels.
9. CPSIA compliant to applicable sections.



Installation Information

- Unit projects 4 inches (100 mm)
- Open unit project from wall 21.375 inches (543 mm) when surface mounted.