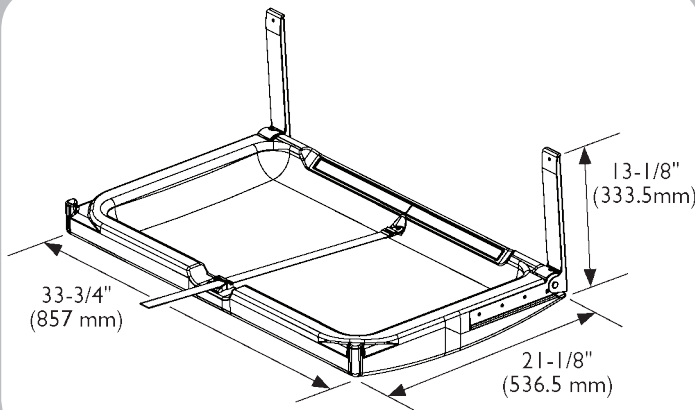




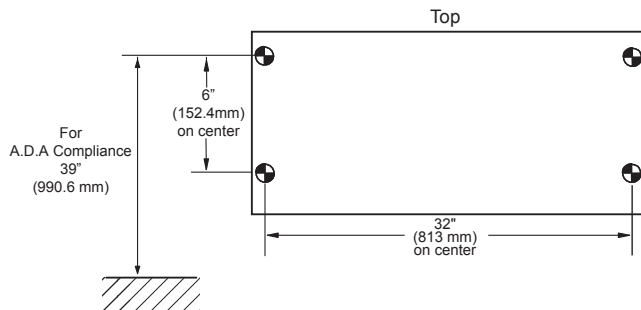
CHANGING STATIONS FOR A CHANGING WORLD.™

Submittal Sheet

Model 300-EH Horizontal Diaper Changing Station



Recommended Blocking



Short Specifications

Polyethylene Diaper Changing Stations:

1. Acceptable product: Foundations Worldwide, Inc.; Model 300-EH.
2. Characteristics:
 - a. Type: Molded FDA approved high-density polyethylene (HDPE) body.
 - b. Smooth nylon belt with Thermoplastic Polyurethane coating. Easy to sanitize and adjustable.
 - c. Warning labels printed in English, Spanish and French.
 - d. Meets ASTM F2285 requirements for weight bearing Commercial Changing Stations.

3. A.D.A. Compliance:



- 306.3 Knee Clearance
 - 307.2 Maximum Protruding Objects
 - 308.2 Forward Reach
 - 308.3 Side Reach
 - 309.4 Operation
 - 902.3 Work Surface
- Compliant when properly installed.

4. ANSI compliant safety labels.
5. CPSIA compliant to applicable sections.
6. Meets or exceeds all requirements outlined by BS EN 12221:2008+A1:2013

- Easy to clean, high-density polyethylene which is naturally bacteria resistant.
- Smooth nylon belt with Thermoplastic Polyurethane coating. Easy to sanitize and adjustable.
- Convenient bag hooks on both sides.
- Easy to read ANSI compliant labels (ANSI Z535.3 and ANSI Z535.4), utilizing universal safety symbols.
- Compact, slim profile meets A.D.A when properly installed. Only protrudes 4 inches or 101 mm from wall.
- Includes universal changing station door sign.
- Torsion spring mechanism to ensure smooth, safe open and close motions.
- Steel-to-steel support hinges.
- Includes easy to use assembly template plus all mounting hardware allowing for one-person installation.
- ASTM G21 Anti-Bacterial: No measurable bacterial growth.
- Meets or exceeds ASTM F2285 Safety Specifications for Commercial Changing Stations.
- Standard pack: 1 unit.
- Limited Warranty: This product is warranted against manufacturing defects for a period of 5 years.
- Can be installed on any building code approved load bearing wall.
- Liner dispenser sold separately.

Installation Information

- Closed unit projects less than 4 inches (101 mm) from wall.
- Open changing surface projects 21 inches (535 mm) from wall during use.
- Overall closed dimensions are 33-3/4 inches (856 mm) wide and 21 inches (535 mm) tall.
- Hardware allows for mounting to current or new construction applications.